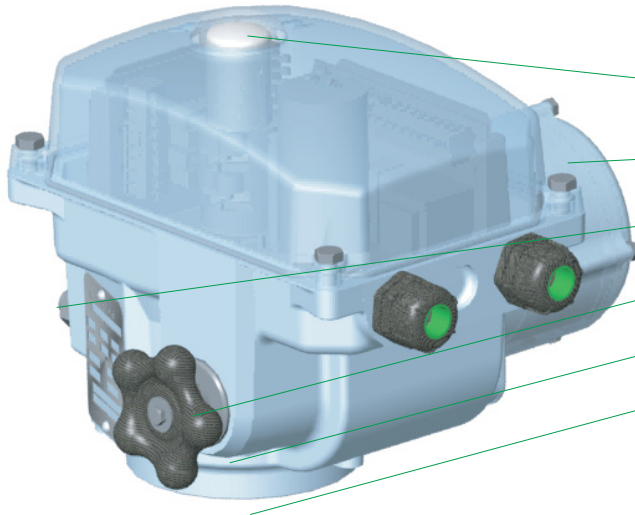


## QUARTER TURN ELECTRIC ACTUATORS 45 & 100 N.m

The LEB actuators are dedicated to building automation and equivalent applications (HVAC , greenhouses, large swimming pools, ...).

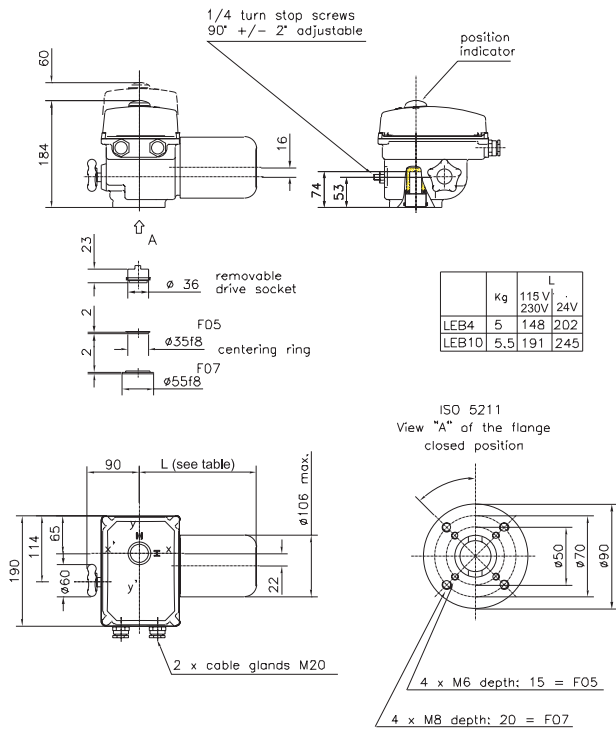


**Main features :**

- optical position indicator
- high available torque motor
- adjustable mechanical stops
- real emergency handwheel
- self-locking output gear
- extractable socket

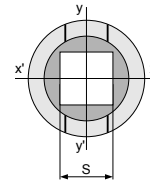
| SPECIFICATIONS                   | LEB 4<br>On - Off                            | LEB 10<br>On - Off                           | LEB 10<br>Proportional signal control        |
|----------------------------------|--|--|--|
| <b>General specifications</b>    |  |  |  |
| Maximum torque                   | 45 N.m                                       | 100 N.m                                      | 100 N.m                                      |
| Operating torque                 | 35 N.m                                       | 60 N.m                                       | 60 N.m                                       |
| Operating time 90°               | 6 s  | 35 s   | 35 s   |
| Flange                           | F05 / F07                                    | F05 / F07                                    | F05 / F07                                    |
| <b>Environment</b>               |  |  |  |
| Protection                       | IP65   | IP65   | IP65   |
| Ambient temperature              | -10...+50°C / +14...+122 °F                  | -10...+50°C / +14...+122 °F                  | -10...+50°C / +14...+122 °F                  |
| Materials                        | Aluminium / PMMA                             | Aluminium / PMMA                             | Aluminium / PMMA                             |
| <b>Motor data</b>                |  |  |  |
| Duty rating                      | 30%  | 30%  | 50%  |
| Power supply (3 versions)        | 230 VAC 50 Hz<br>115 VAC 60 Hz<br>24 VAC/VDC | 230 VAC 50 Hz<br>115 VAC 60 Hz<br>24 VAC/VDC | 230 VAC 50 Hz<br>115 VAC 60 Hz<br>24 VAC/VDC |
| Motor Power                      | 30 W approx.                                 | 15 W approx.                                 | 15 W approx.                                 |
| <b>Controls &amp; signalling</b> |  |  |  |
| Controls                         | Prewired                                     | Prewired                                     | 0-20 mA / 4-20 mA / 0-10 V                   |
| Open / Closed signalling         | 2 SPDT (max 250VAC / 5A)                     | 2 SPDT (max 250VAC / 5A)                     | 2 SPDT (max 250VAC / 5A)                     |
| Position potentiometer           | Option (1 kOhm)                              | Option (1 kOhm)                              | NA   |
| Position transmitter             | Option (0-20 / 4-20mA)                       | Option (0-20 / 4-20mA)                       | Standard (0-20 / 4-20mA)                     |
| <b>Electrical connections</b>    |  |  |  |
| Cable entries                    | 2 x M20 cable glands<br>Connectors (option)  | 2 x M20 cable glands<br>Connectors (option)  | 2 x M20 cable glands<br>Connectors (option)  |
| Max. wire section                | 2.5 mm <sup>2</sup>                          | 2.5 mm <sup>2</sup>                          | 2.5 mm <sup>2</sup>                          |
| <b>Heater</b>                    | Option                                       | Option                                       | NA   |

**DIMENSIONS AND WEIGHT**



**SOCKET MACHINING**

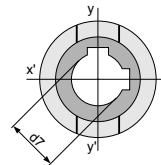
socket with 2 positions  
Standard dimensions



**Parallel square**

S

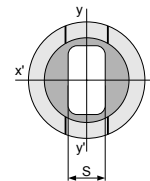
9 / 11 / 14 / 16 / 17 / 19



**Key**

Ød7

14 / 18 / 20 / 22



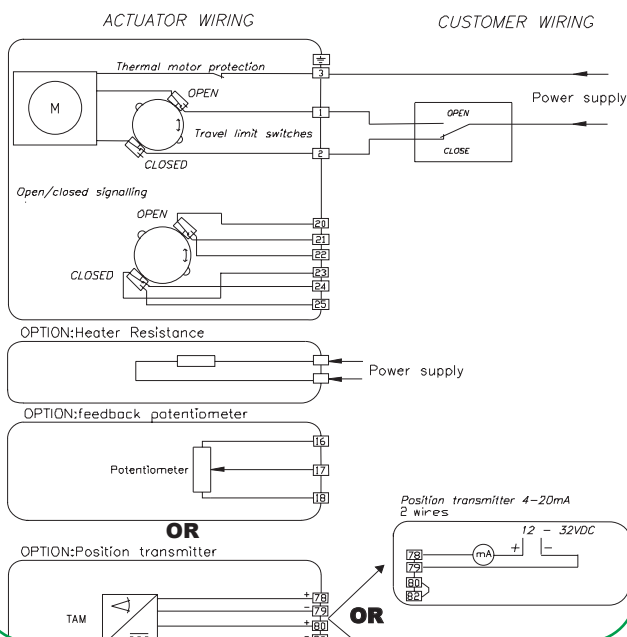
**Flat**

S

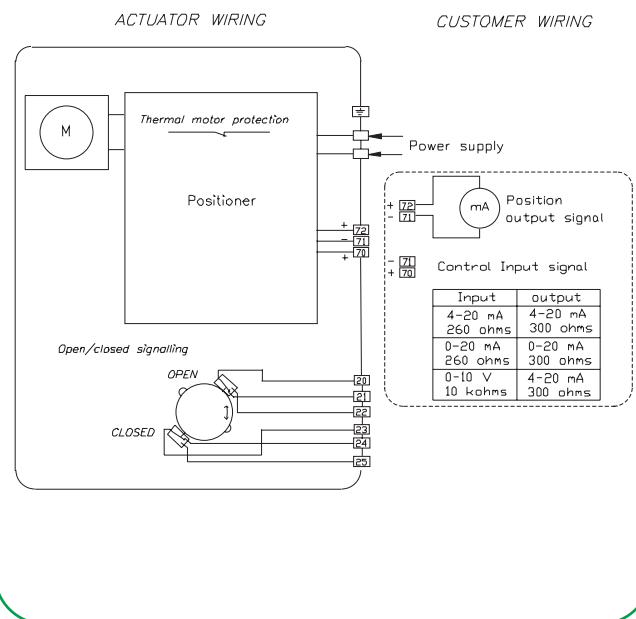
14

Other machining on request

**Wiring diagram - on-off prewired**



**Wiring diagram - proportional control**



**At Your Service Over The World**

Website : [www.bernard-actuators.com](http://www.bernard-actuators.com) / e-mail : [mail@bernard-actuators.com](mailto:mail@bernard-actuators.com) / Tel : +33 1 34 07 71 00